



W White-Westinghouse

INTERNATIONAL

Factory Parts Catalog

Product No.	MRTG23V7PW0
Color	white
Volts	220
Wiring Diagram	241845601
Owner's Guide	808158901
Market	Export
Energy Guide	242224765
Service Data Sheet	240506509
Installation Instructions	240568304

INTERNATIONAL

P.O. BOX 8020
CHARLOTTE, NC 28262

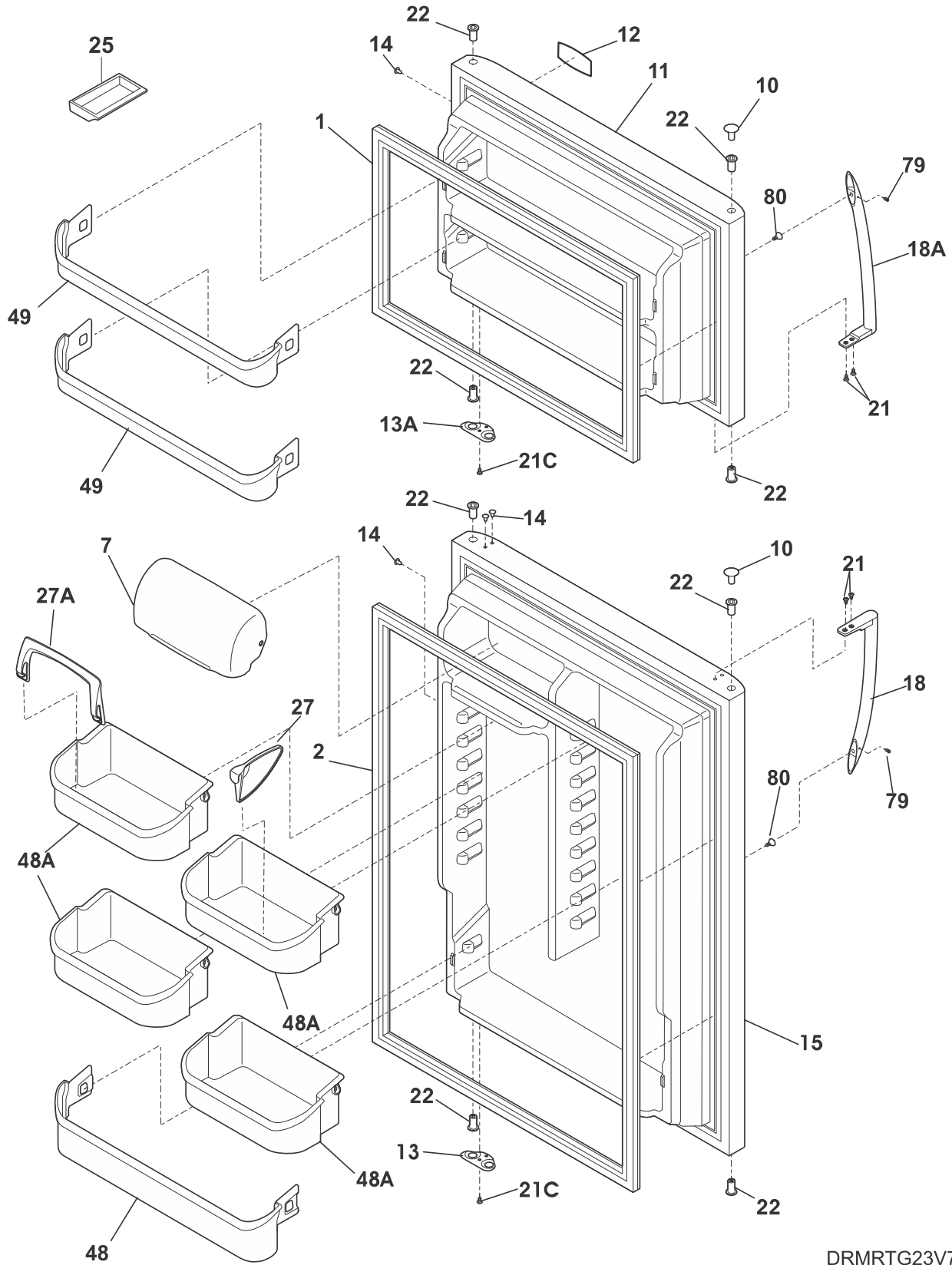
This Catalog replaces 5995636601

Publication No.
5995646170
14/05/28
(EN/SERVICE/CW)
390

TOP-MOUNT REFRIGERATOR

Model No.
MRTG23V7P

DOOR

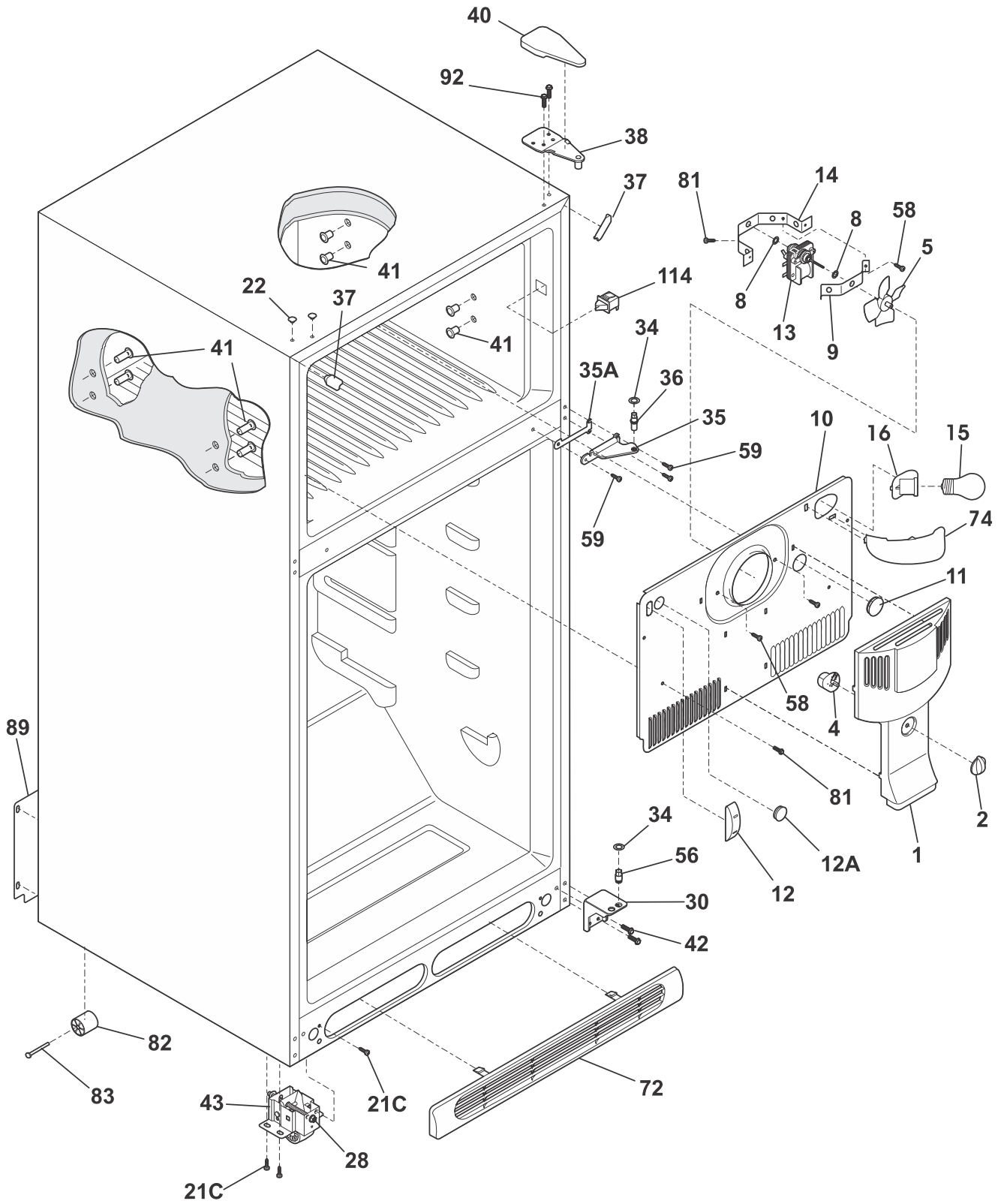


DRMRTG23V7PW0

DOOR

POS. NO	PART NO.	DESCRIPTION
1 #	242193205	Gasket-frzr door, white, magnetic
2 #	242193213	Gasket-refr door, white, magnetic
7	240338303	Door, dairy, clear
10	240381301	Plug-button, white, hinge brg hole, (2)
11	241798401	Door-frzr, white, complete assy
12A	137095500	Anchor, nameplate
13	240312403	Door Stop, white, ref
13A	240312414	Door Stop, white, frzr
14	240494001	Plug-button, white, cab liner holes
15	241798551	Door-refr, white, complete assy
18	242084804	Handle-door, white, refr-RH/frzr-LH
18A	242084801	Handle-door, white, refr-LH/frzr-RH
21	240383406	Screw, truss hd quad, #10-16 x .500, zinc
21C	218252201	Screw, #8 truss hd, 10-32CA x 0.500
22	240527101	Bearing-hinge, natural color
25	5308000716	Dish, butter
27	240396302	Snugger, paddle type
27A	240396102	Retainer, tall bottle
48	240338101	Bin-door
48A	240338202	Bin-door, gallon
49	240495805	Bin-door, pseudo, frzr
58	240433204	Screw, hex washer head, 8-18 x 5/16
79	218755401	Screw-set, 10-32 x 0.375
80	218755504	Screw-shoulder, #10 AB, handle mounting

CABINET

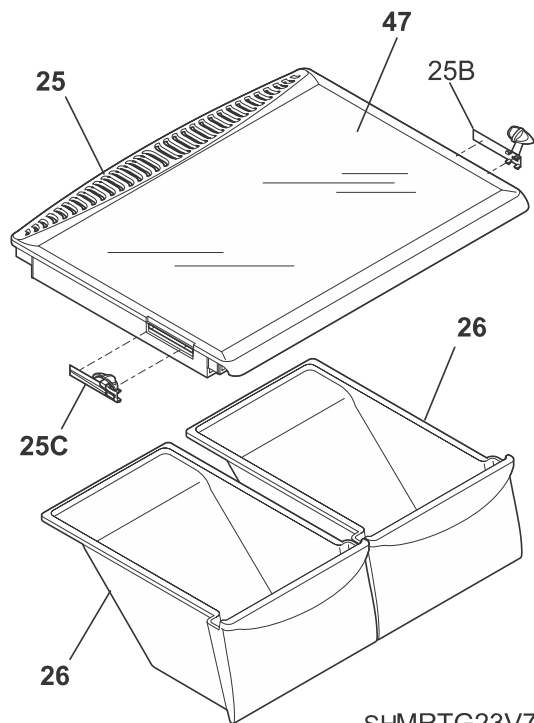
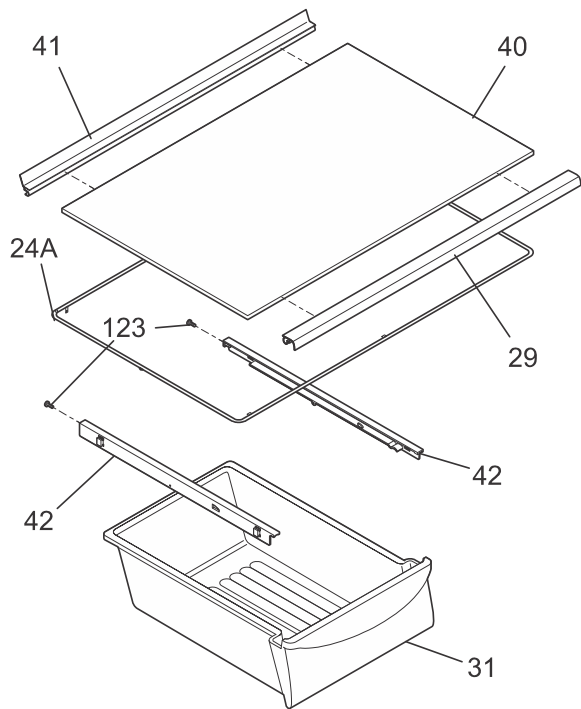
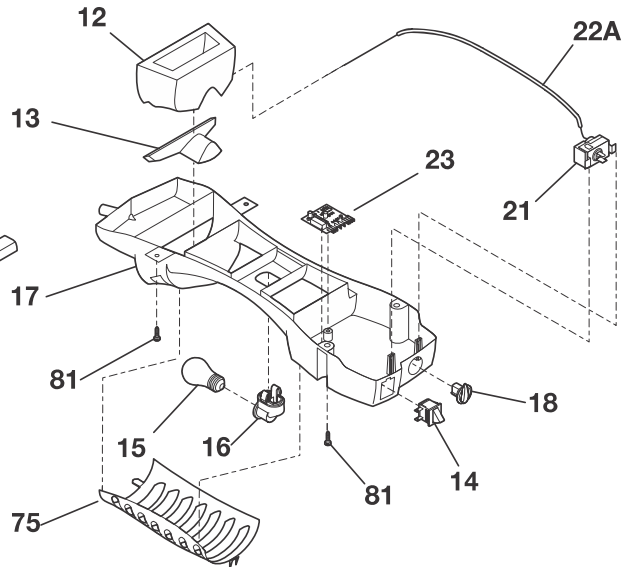
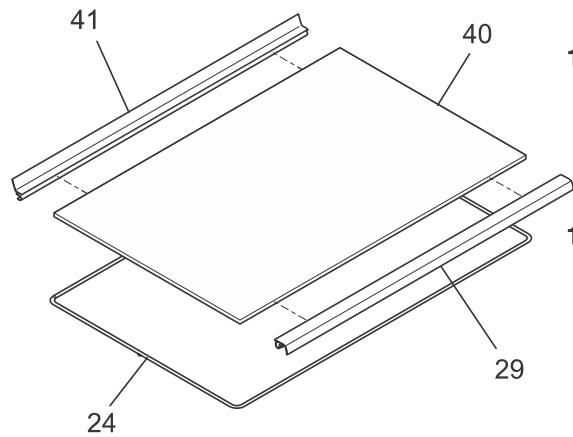
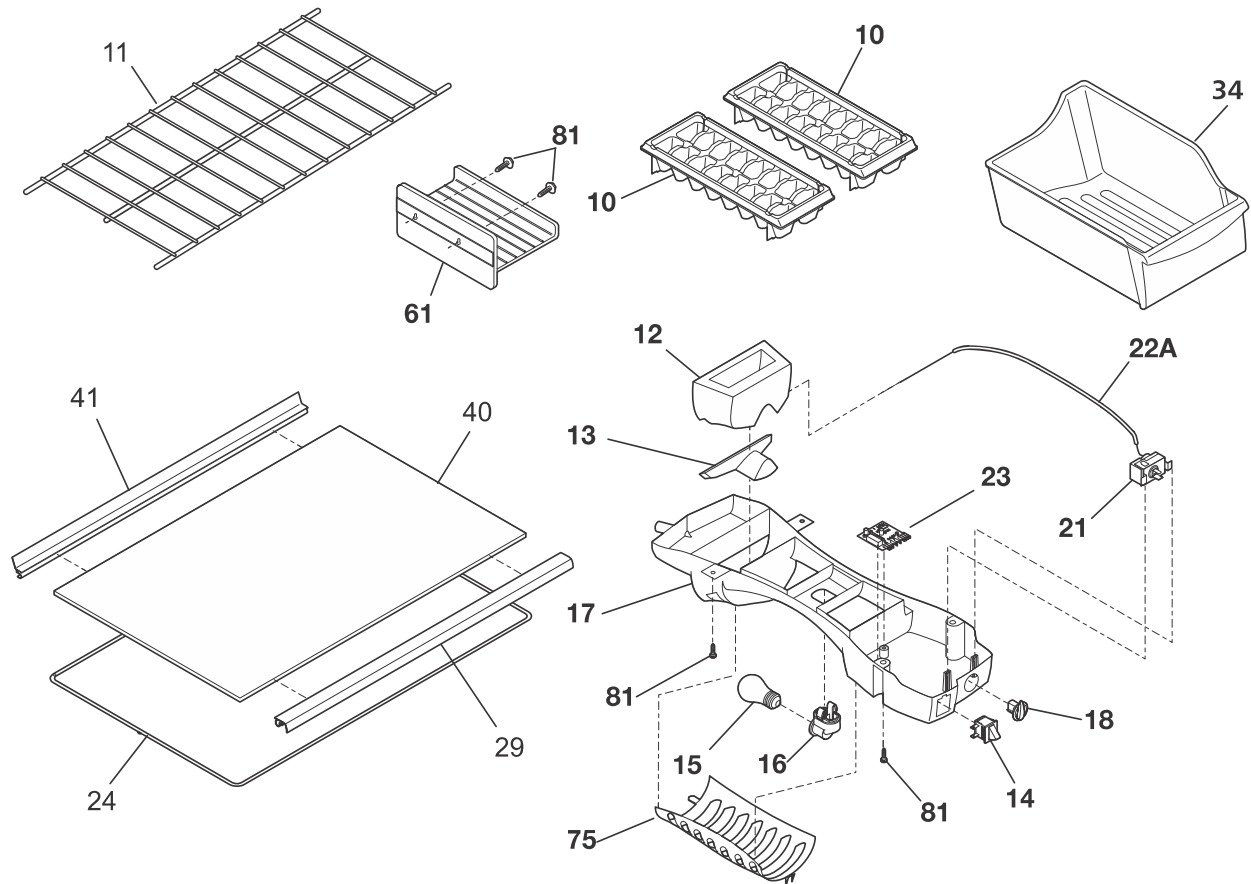


CAFGHT1832PE0

CABINET

POS. NO	PART NO.	DESCRIPTION
1	240355407	Cover-fan
2	240367001	Knob-damper control
3	5303001028	Nut, push-on
4	240367401	Damper-fan cover
5	5308000010	Fan Blade, red, evaporator fan
8	242014101	Bushing-motor mtg, (2)
9	5303292396	Bracket-motor mtg, front
10	240313611	Cover-evap coil, w/light
10*	240568606	Seal-coil cover
10*#	241832401	Harness-wiring
11	5303208309	Plug-hole, factory test
12	242193602	Plug-hole, icemaker
12A	240374401	Plug-wtr inlet tube, round, 1"
12A*	241586701	Plug-foam-wtr-inlet, round
13 #	241832301	Motor-evap fan
13*	215474201	Washer, "slinger", nylon, evap fan shaft
14	5303292397	Bracket-motor mtg, rear
14*	240433204	Screw, hex washer head, 8-18 x 5/16
15 #	218095502	Light Bulb/Lamp
16	218971501	Socket-light/lamp
21C	218252201	Screw, #8 truss hd, 10-32CA x 0.500
22	215774901	Plug-button, white, upr hinge holes
28	240335502	Bolt-roller adj, hex washer head, 1/4-20 x 4.020, (2), special
30	240314011	Bracket-lower hinge, zinc
34	240311303	Washer, hinge, nylon, (2)
35	240313806	Bracket-ctr hinge, zinc
35A	240336802	Spacer-hinge, center, white
36	240516402	Pin-center hinge
37	242161201	Trim-cabinet corner, white, (2)
38	240313703	Bracket-upper hinge
40	240354401	Cover-upper hinge, white
41	5308009759	Grommet, shelf mtg, 1.25", LH, (4)
42	240578902	Screw, hex head, 1/4-20 x 5/8
43	240335005	Roller Assy, adjustable, front, (2)
56	240516502	Pin-lower hinge
58	5304456287	Screw, hex washer head, 8-15A x 0.500
59	240442706	Screw-#10-32 X 3/4, zinc
72	241839405	Grille/Kickplate, white
74	240354302	Shield-light, frzr
81	5304455650	Screw, hex washer head, 8-15A x 0.625, Low Profile
82	5304418225	Roller, compressor base, rear, (2)
83	5304455655	Rivet, flat head, 1/4 OD x 1-3/4, roller pin
89	241736402	Cover-access, w/label
89*	241500303	Screw, hex washer head, 8-18AB x 1/2
92	241710601	Screw, hex washer hd, 1/4 x 7/8, hinge mtg
114#	240505801	Switch, light/lamp
*	5303321319	Paint, touch-up, white

SHELVES

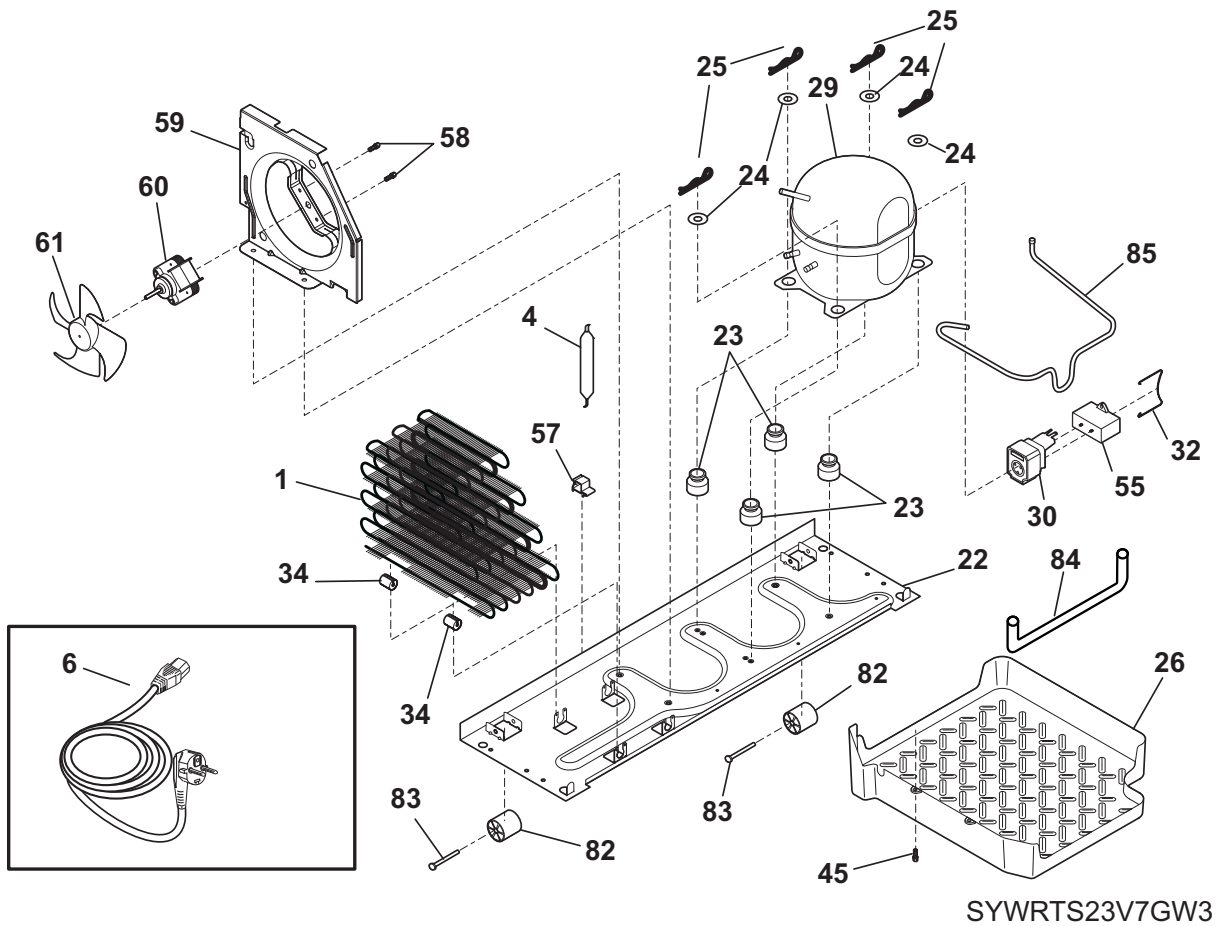
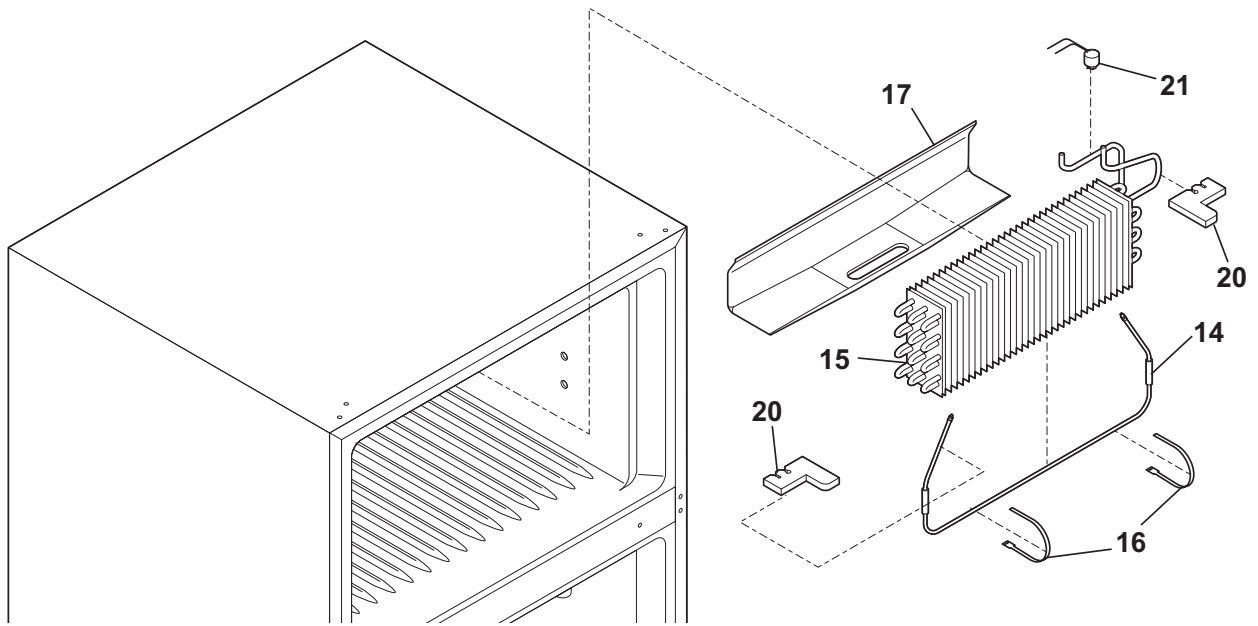


SHMRTG23V7PW0

SHELVES

POS. NO	PART NO.	DESCRIPTION
10	215667501	Tray, ice cube, plastic
11	240358006	Shelf, freezer, full-width, wire
12	240545901	Diffuser-air, top
13	240362601	Diffuser, air, bottom
14 #	240505801	Switch, light/lamp
15 #	218095502	Light Bulb/Lamp
16 #	218971501	Socket-light/lamp
17	240368103	Box-control, front
17*#	242081702	Wiring Harness, control box
18	240360801	Knob, temp control
21 #	5304458021	Control, temperature
22A	240468201	Tube, sensor sleeve, 31 inch, plastic, white
23 #	242011004	Control-defrost, adaptive timer, 220/240 V, PC board
23*	5304455649	Screw, pan hd, 6-20 x 0.438
24	240372407	Frame-shelf, sliding, full width
24A	240372408	Frame-shelf, sliding, full width, w/hanger tabs
25	240364790	Cover-crisper pan
25B	241613501	Control-humidity, RH
25C	241613502	Control-humidity, LH
26	240343803	Pan, crisper, (2)
29	240357704	Trim-shelf, front
31	240530803	Pan-meat, w/o graphics, clear
34	240385201	Container, ice bin
40	240350621	Glass-shelf, 23.78 x 18.02, full shelf
41	240561502	Trim-shelf, rear
42	240530701	Track, meat pan hanger, RH
47	240350609	Insert-pan cover, glass
61	215781501	Shelf, ice tray mount, wire
75	240412701	Shield, light
81	5304455650	Screw, hex washer head, 8-15A x 0.625, Low Profile
123	215005101	Screw, hanger/rlr mtg, 8-10 x 7/16

SYSTEM

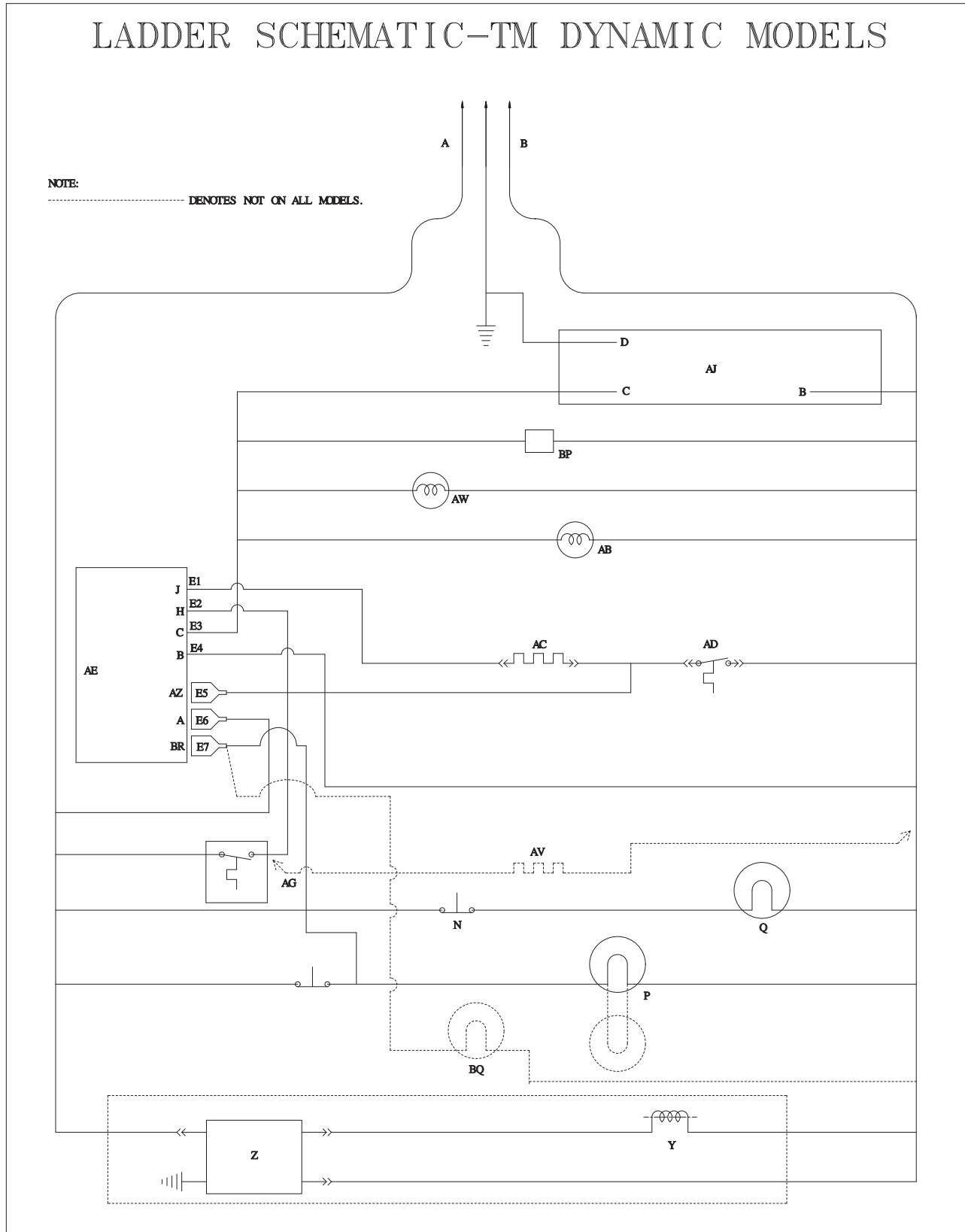


SYWRTS23V7GW3

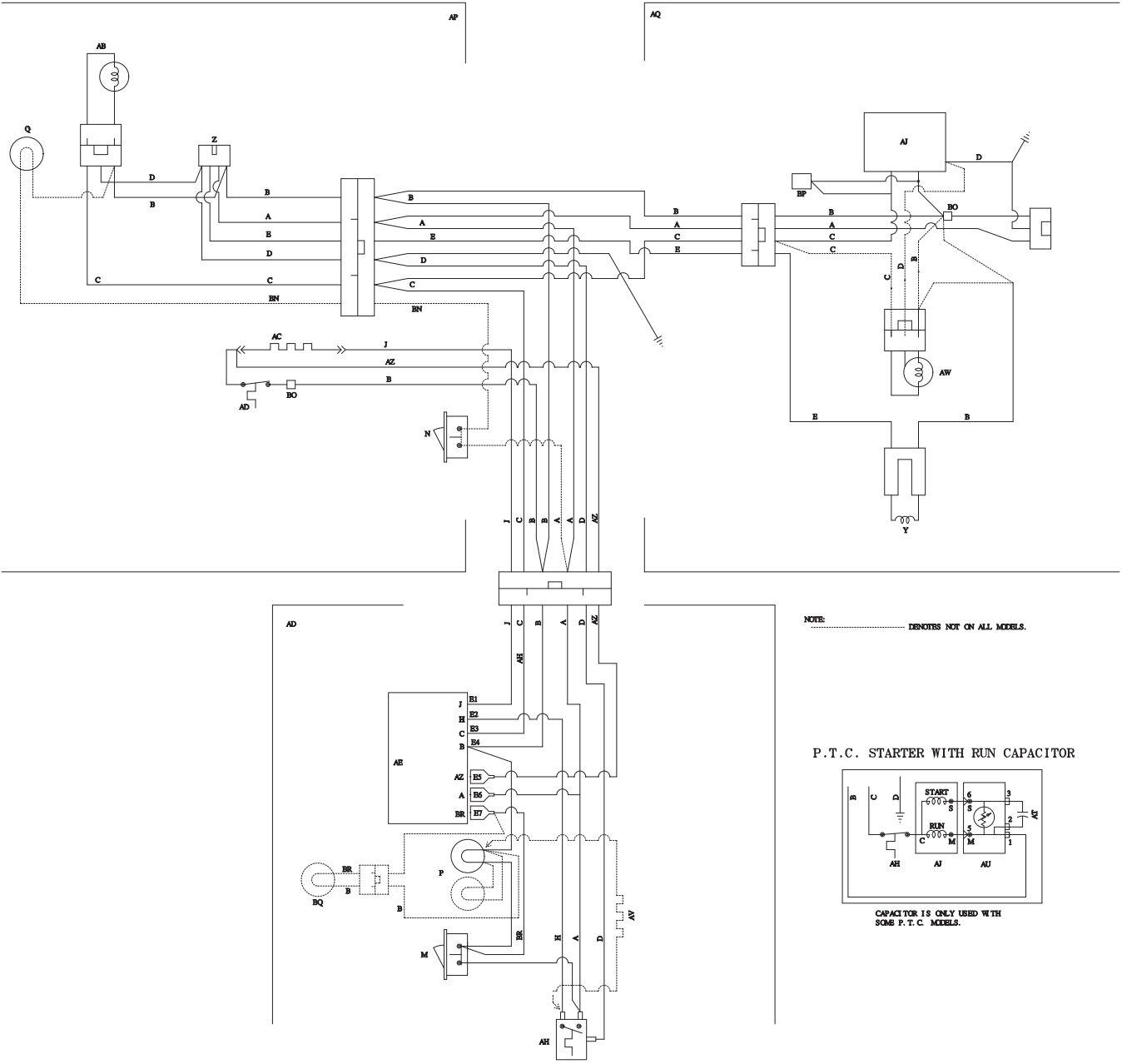
SYSTEM

POS. NO	PART NO.	DESCRIPTION
1 #	241785403	Condenser, dynamic
4 #	242047603	Dryer-filter
6 #	241723306	Cord-service
6* #	241626401	Harness-wiring, machine compt
6* #	241735901	Bracket Assembly, receptacle, service cord
6* #	241832401	Harness-wiring
6* #	242081702	Wiring Harness, control box
14 #	240356218	Defrost Heater, 220 V
15 #	5303918274	Evaporator Kit
16	5308000110	Strap-evap/heater, aluminum, (2)
17	241801301	Trough-drain
20	241551902	Insulation Block
21	5303918202	Thermostat-defrost, kit
22	241665504	Base-compressor
22*	218252201	Screw, #8 truss hd, 10-32CA x 0.500
22*	218709101	Screw, hex head, 10-32 x 0.500
23	218513300	Grommet-compr mtg, (4)
24	241812301	Washer-compr mtg
25	242037701	Clip-compressor mtg
26	241697602	Pan-defrost
29 #	240550927	Compressor
30 #	241707714	Starter-PTC
32	241809001	Clamp, elec cont mtg, compressor
34	240405201	Grommet, rubber, black, cond tube/wire
45	5304455650	Screw, hex washer head, 8-15A x 0.625, Low Profile
55 #	218909908	Capacitor, run
57	240542601	Clip-wiring harness
58	218897002	Screw, hex washer head, 8-32 x 0.375
59	241935603	Shroud, cond fan motor
59*	240346701	Tape-foam seal, shroud
59*	240359403	Screw-fan shroud, (2)
60 #	241696603	Motor-condenser fan
61 #	240524102	Fan Blade, condenser fan
82	5304418225	Roller, compressor base, rear, (2)
83	5304455655	Rivet, flat head, 1/4 OD x 1-3/4, roller pin
84	240597301	Tube-drain, lower
85	241856901	Tube-connector, suction
*	240396801	Clamp, tube/wiring, nylon, black/natural
* #	5303918330	Heat Exchanger Kit, suction line, service

WIRING SCHEMATIC

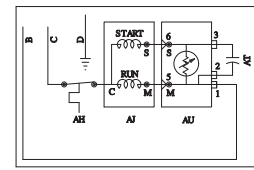


WIRING DIAGRAM



NOTE: DENOTES NOT ON ALL MODELS.

P.T.C. STARTER WITH RUN CAPACITOR



CAPACITOR IS ONLY USED WITH SOME P.T.C. MODELS.

241845601